

HIAB X-DUO 128



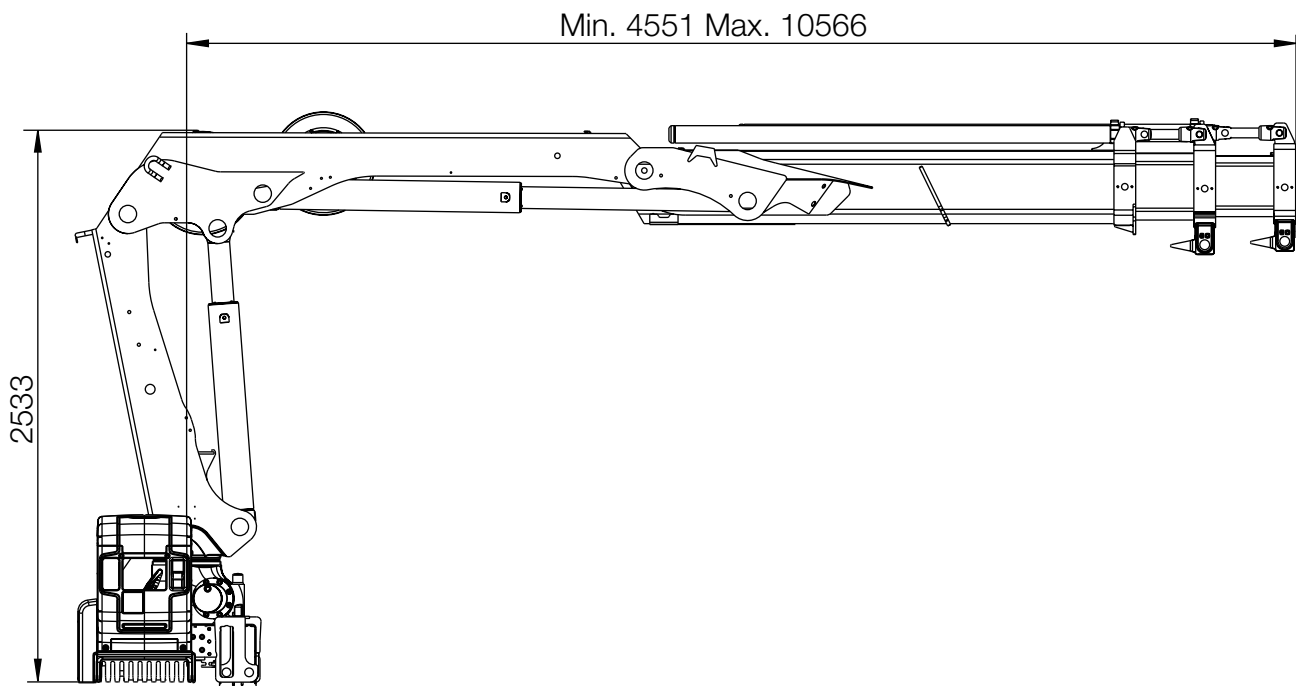
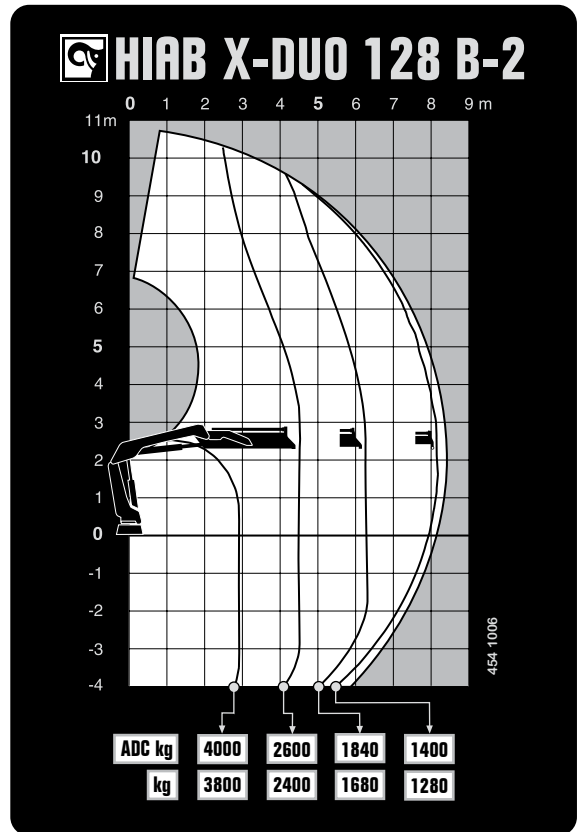
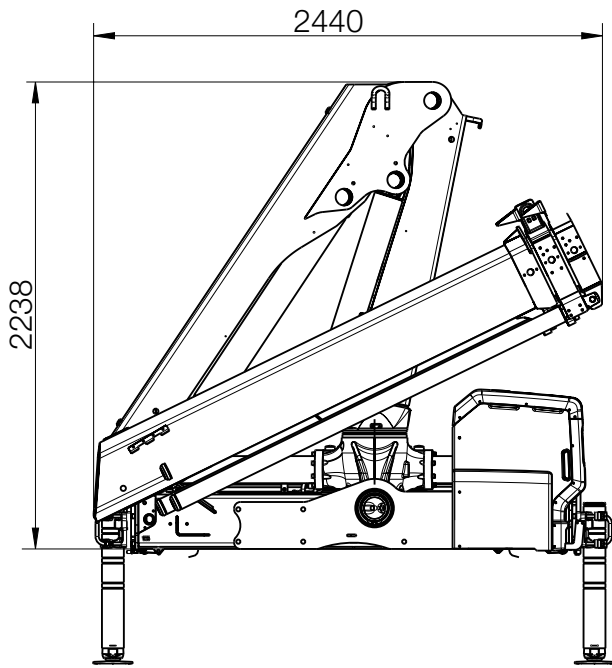
HIAB X-DUO 128 BASIC DATA

BASIC DATA	X-Duo 128 B-1	X-Duo 128 B-2	X-Duo 128 B-3	X-Duo 128 E-4	X-Duo 128 ES-3
Mdyn	152 kNm	155 kNm	158 kNm	160 kNm	159 kNm
Lifting capacity (kNm)	110	104	102	93	99
Lifting capacity (tm)	11,2	10,6	10,4	9,5	10,1
Lifting capacity (ADC) (kNm)	120	113	110	101	110
Lifting capacity (ADC) (tm)	12,2	11,5	11,2	10,3	11,2
Outreach - lifting capacity, standard (m-kg)	2,8 - 4 300	2,8 - 4 000	3 - 3 700	2,4 - 4 300	2,2 - 4 900
	4,3 - 2 800	4,4 - 2 600	4,5 - 2 500	4,7 - 2 200	4,3 - 2 600
	6,1 - 2 000	6,2 - 1 840	6,3 - 1 720	6,5 - 1 540	6,1 - 1 740
		8,2 - 1 400	8,3 - 1 280	8,4 - 1 120	8 - 1 280
		10,3 - 1 000	10,5 - 860 12,7 - 700	10,1 - 1 000	
Outreach - lifting capacity, manual extensions (m-kg)	8,1 - 1 420	10,3 - 1 040	12,5 - 760	15 - 540	12,3 - 780
Hydraulic outreach, standard (m)	6,3	8,4	10,6	12,8	10,2
Hydraulic boom extension (m)	1,9 m	3,9 m	5,9 m	8,1 m	5,9 m
Outreach, manual extensions (m)	0	0	12,8	0	0
Lifting height above installation level, hydr/man. (m)	8,7 / 15,2	10,8 / 15,2	13,0 / 15,2	15,2 / 19,8	12,6 / 19,5
Rec. oil flow (l/min)	45 - 50	45 - 50	45 - 50	45 - 50	45 - 50
Working pressure (Mpa)	28,1	28,1	28,1	28,1	28,1
Oil in tank (l)	70 - 200	70 - 200	70 - 200	70 - 200	70 - 200
Tank capacity (l)	0 - 235	0 - 235	0 - 235	0 - 235	0 - 235
Slewing angle (°)	415	415	415	415	415
Max slope viable at full capacity (°)	6	6	6	6	6
Slewing torque, gross (kNm)	16,4	16,4	16,4	16,4	16,4
Slewing speed 80 (°/s)	15	15	15	15	15
Slewing speed (°/s)	15	15	15	15	15
Lifting speed at standard hydraulic outreach (m/s)	1,1	1,4	1,7	2,1	1,3
Height in folded position (mm)	2 238	2 238	2 238	2 261	2 261
Width in folded position (mm)	2 374	2 440	2 498	2 479	2 426
Install space required with hose and pipe kit (mm)	1 030	1 024	1 024	1 024	1 024
Crane in standard version without stabiliser system (kg)	1 320	1 430	1 550	1 860	1 750
Frame attachments (kg)	32 - 65	32 - 65	32 - 65	32 - 65	32 - 65
Stabiliser system (kg)	244 - 385	244 - 385	244 - 385	244 - 385	244 - 385

This table shows one example of a model, and represents some of all options available. With the opportunity to configure your crane, we can provide you with a crane perfectly tailored to your needs.

Please contact your local dealer for more information and the exact data on the variety of options we can offer.

Hiab X-DUO 128 B-2



BUILT TO PERFORM

Hiab is the world's leading provider of on-road load handling equipment. Customer satisfaction is the first priority for us. Hiab's product range includes HIAB loader cranes, JONSERED recycling and forestry cranes, LOGLIFT forestry cranes, MOFFETT truck mounted forklifts and MULTILIFT demountables, as well as DEL, WALTCO and ZEPRO tail lifts.

hiab.com

Hiab is part of Cargotec.

cargotec.com



© BD-XDUO128-EN-WW_160610



hiab.com